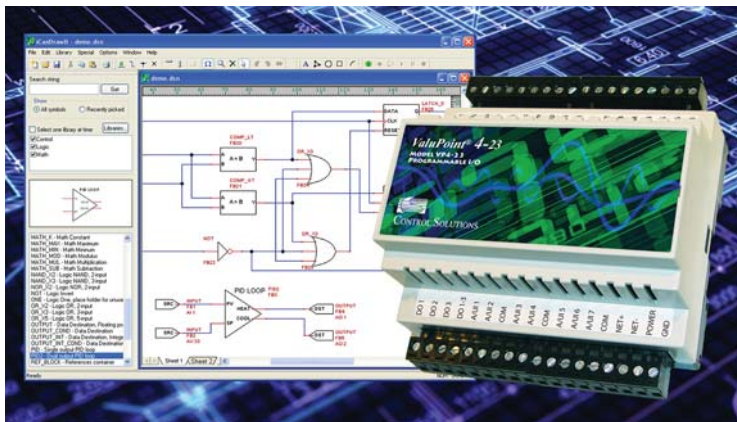


## *i.CanDoIt® Programmable Web Servers with I/O for Powerful Monitoring & Control*

The goal of i.CanDoIt® is to provide a simple and cost effective facility management and remote monitoring solution suitable for use in small sites. i.CanDoIt® web servers include an impressive collection of pre-programmed web pages, and allow the user to put a custom HTML “wrapper” around the embedded web site. The i.CanDoIt® is programmable, even though it is rather powerful without programming.

- *Embedded Web Server*
- *Alarm Monitoring*
- *Fill-in-the-blank Alarm Templates*
- *Programmable Alarm Responses*
- *Email Event Notifications*
- *Remote Data Monitoring*
- *Data Logging & Trending*
- *Automatic Email Delivery of Data Logs*
- *Time & Date Scheduling*
- *Astronomical Clock*
- *Field Programmable*
- *User Web Pages*
- *Support for Multiple Protocols*
- *Analog, Universal, Discrete I/O*



## *ValuPoint® VP4-23*

Control Solutions' ValuPoint® Programmable I/O for BACnet MS/TP provides programmable control, scheduling, alarm monitoring and notification, and data logging. Updated VP4-23 coming in 2012.

- 14 A/UI (0-10V, thermistor, dry contact, pulse)
- 6 DO (relay), 3 AO (4-20mA)
- Scheduling, data logging, alarm monitoring, COV
- Battery backed real time clock
- 2MB non-volatile log file memory
- Freely programmable, graphical programming
- MS/TP client for peer to peer communication

## *i.CanDrawIt®*

*i.CanDrawIt®* works just like an electrical schematic CAD program, except you draw control programs that look like circuits. The resulting software will function like the circuit you draw. *i.CanDrawIt®* includes visual program simulation as well as visual live debugging. Set break-points or step through the program one visual function block at a time. Update variables and I/O objects in simulation or live. *i.CanDrawIt®* is available for free download at [www.graphical-programming.com](http://www.graphical-programming.com).

- Electrical CAD look and feel
- Ladder style, free form logic, or hybrid
- Compile code from drawings
- Simulate functions block by block
- Run to break point, run until paused
- Inspect or change variables
- Inspect or change registers (object's value property)
- Draw new function blocks, library source code included

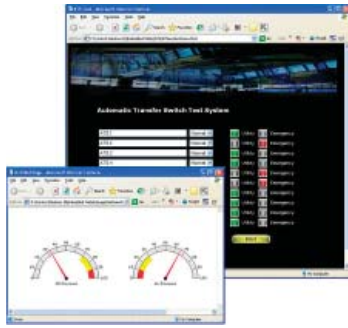
### *MS/TP Support Tools*



Our newest MS/TP products are supported by our newest MS/TP tool: An intelligent USB to MS/TP adapter that will let you connect your PC to a device running at any standard MS/TP baud rate, including 76800. Software tools to go with the adapter are new and improved, too.



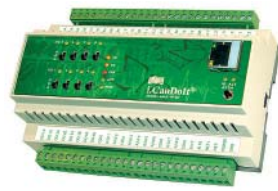
**Embedded Web Servers with Programmable I/O**



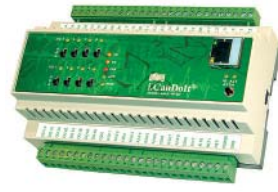
***i.CanDoIt®***  
**Embedded  
Web Servers  
with I/O**



**AddMe Jr. Server (AMJ14IP)**  
12 A/UI, 2 DO  
Modbus RTU gateway built in  
10/100 Ethernet, Modbus TCP, SNMP  
Advanced i.CanDoIt features  
(BACnet IP version also available)



**AddMe III Server (AM3IPMB)**  
18 A/UI, 2 PI, 4 AO, 8 DO  
Modbus RTU gateway built in  
10/100 Ethernet, Modbus TCP, SNMP  
Advanced i.CanDoIt features



**AddMe III Server (AM3IPBN)**  
18 A/UI, 2 PI, 4 AO, 8 DO  
BACnet IP Server & I/O with  
COV subscription, BACnet IP client,  
Advanced i.CanDoIt features



**i.Board Server (IB100)**  
8 A/UI, 2 DO  
10/100 Ethernet, Modbus TCP, SNMP  
Advanced i.CanDoIt feature subset

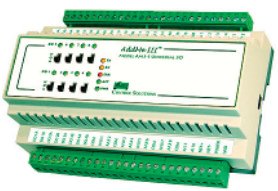


**i.Board Server (IB100)**  
8 A/UI Universal Inputs  
Modbus RTU Master  
10/100 Ethernet, Modbus TCP, SNMP  
Advanced i.CanDoIt feature subset

**Modbus I/O**



**AddMe Lite (AMJ14SM)**  
12 A/UI, 2 DO  
Modbus RTU (RS485) slave I/O  
Field programmable

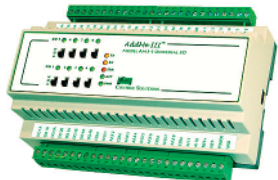


**AddMe III (AM3SM)**  
18 A/UI, 2 PI, 4 AO, 8 DO w/HOA  
Modbus RTU (RS485) slave I/O  
Field programmable

**BACnet Programmable I/O**



**AddMe Lite (AMJ14SB)**  
12 A/UI, 2 DO  
BACnet MS/TP slave I/O  
Field programmable



**AddMe III (AM3SB)**  
18 A/UI, 2 PI, 4 AO, 8 DO w/HOA  
BACnet MS/TP slave I/O  
Field programmable



**ValuPoint VP4-23**  
14 A/UI, 3 AO, 6 DO  
BACnet MS/TP slave I/O  
Field programmable

**LonWorks I/O**



**AddMe II (AM2MX30)**  
16 A/UI, 2 PI, 4 AO, 8 DO  
LonWorks TP/FT-10 slave I/O  
UL916 Listed  
LonMark Certified



**AddMe II (AM2D6)**  
4 A/UI, 2 DO  
LonWorks slave I/O  
LonMark Certified

Technical info: [www.csimn.com](http://www.csimn.com)

Get complete product details, data sheets, web demos, software downloads, PICS and XIF files, and more.

Pricing info: [www.shopcsimn.com](http://www.shopcsimn.com)

We sell direct and ship world wide. To see wholesale pricing, register at [www.shopcsimn.com](http://www.shopcsimn.com).



**CONTROL SOLUTIONS, INC.**

980 E. BERWOOD AVE., SUITE 100 • PO BOX 10789  
ST. PAUL, MN 55110-0789  
VOICE (651) 426-4410 • FAX (651) 426-4418  
TOLL FREE 1-800-872-8613

© 2012 Control Solutions, Inc. *i.CanDoIt®*, *i.CanDrawIt®*, *ValuPoint®*, *Babel Buster®*, *AddMe®*, *LogMyData®* are registered trademarks of Control Solutions, Inc. BACnet® is a registered trademark of American Society of Heating, Refrigerating and Air-Conditioning Engineers (ASHRAE). Modbus® is a registered trademark of Modbus Organization. LonWorks® is a registered trademark of Echelon Corp. ZigBee® is a registered trademark of ZigBee Alliance.